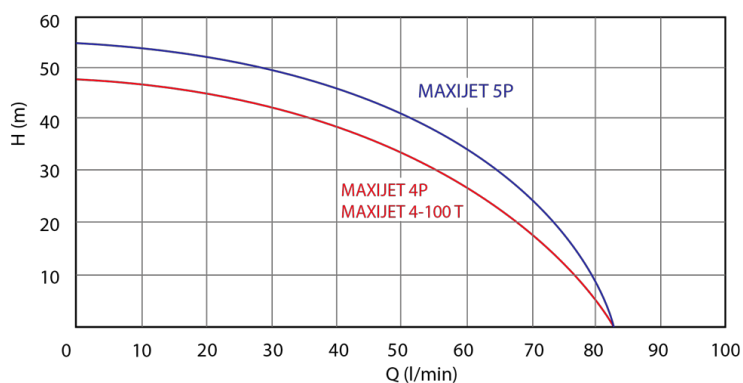


Booster sets with a multistage pump suitable for pumping clean water without solid admixtures.



## Construction characteristic

- stainless steel pump body
- suction and discharge parts made of cast iron
- distributor wheels made of technopolymer
- impellers from technopolymer
- Stainless steel shaft
- a mechanical seal made of graphite and a counterflange made of ceramics
- pressure vessel 24-100 lt
- pressure vessel bag of rubber

## Motor

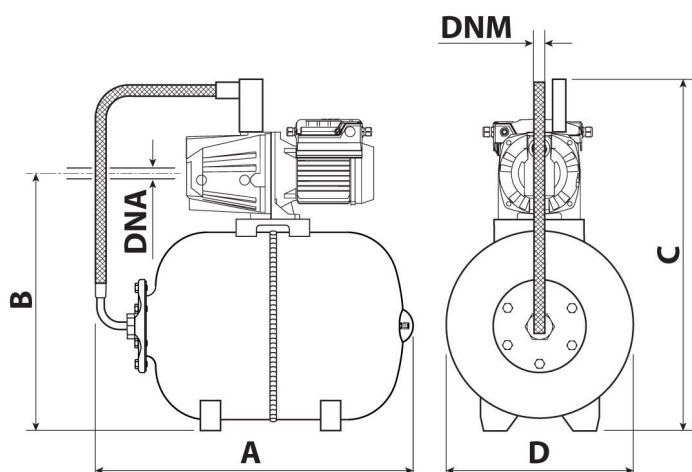
- closed, chilled outside
- IPX4 protection
- insulation class F
- single phase version with permanently built-in condenser
- thermal protection in the motor winding
- speed 2850 rpm
- flexicable 1,5 m

## Usage

- type of liquid: pure water without solid additives and abrasive material
- max. pumped liquid temperature 40°C
- max. suction height with 7 m backflow valve
- max. working pressure 6 bar

## Aplikace

- small pressure devices
- Booster setst
- irrigation



<b>Type:</b>	36
<b>Power input:</b>	1100 W
<b>Q max:</b>	6000 l/h
<b>Head high:</b>	48 m
<b>Voltage:</b>	230 V
<b>Weight:</b>	22 kg
<b>A dimensions:</b>	520 mm
<b>B dimensions:</b>	500 mm
<b>C dimensions:</b>	640 mm
<b>D dimensions:</b>	360 mm
<b>DNA dimensions:</b>	1"
<b>DNM dimensions:</b>	1"
<b>Max. temperature:</b>	40 °C
<b>ON/OFF Pressure:</b>	2 - 3,5 bar
<b>Tank volume:</b>	35 l
<b>Suction height:</b>	7 m
<b>Max. over pressure:</b>	6 bar